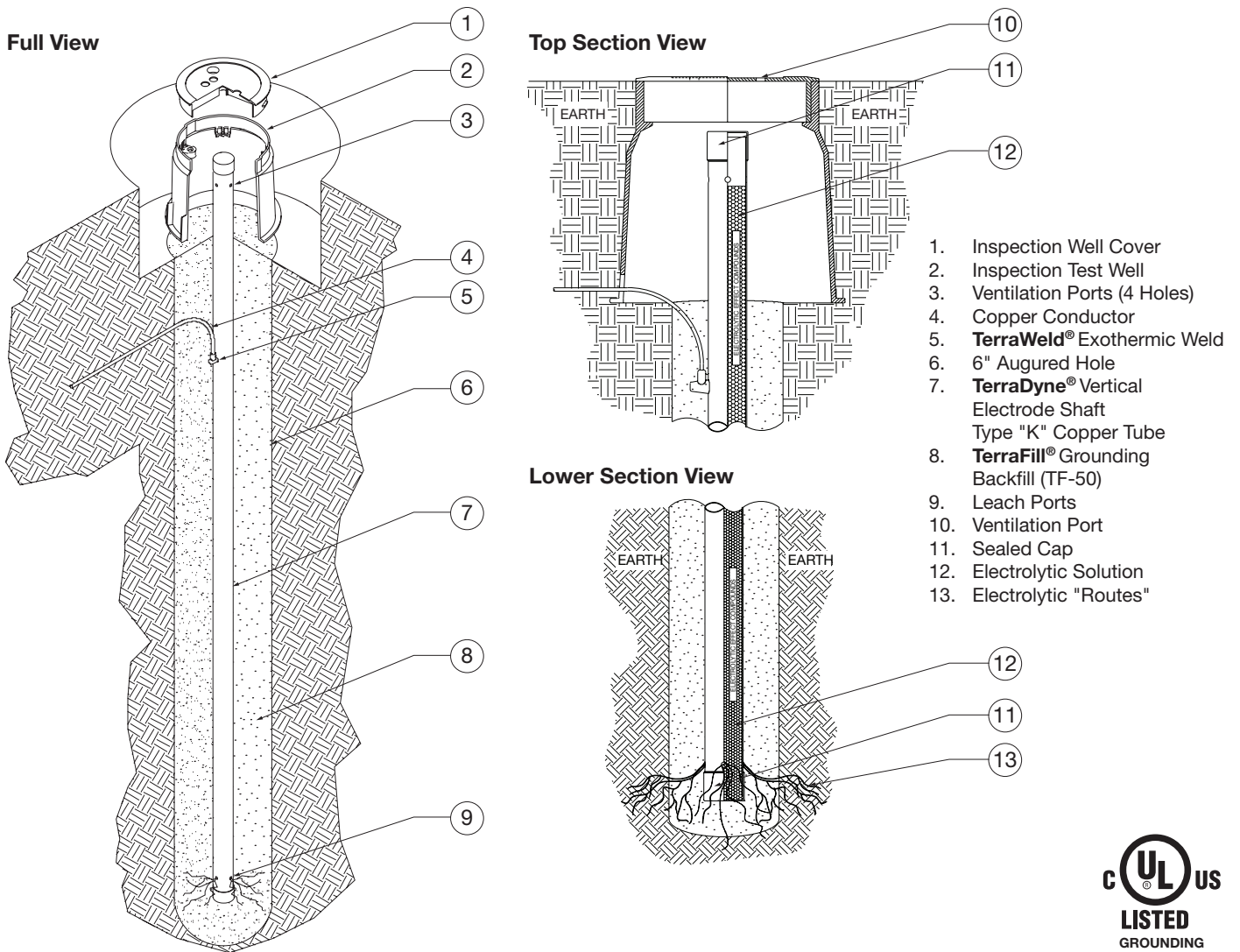


TerraDyne® Vertical Models

Part Number	Description	Approximate Weight
TG-8S-4/019-36-2F-P	TerraDyne®, Copper, 2" Type K, 8', Vertical, 4/019 w/36" Pigtail, 2 bags TerraFill®, Poly Test Well w/Cover	127 lb. (57.61 kg)
TG-10S-4/019-36-2F-P	TerraDyne®, Copper, 2" Type K, 10', Vertical, 4/019 w/36" Pigtail, 2 bags TerraFill®, Poly Test Well w/Cover	133 lb. (60.33 kg)
TG-20S-4/019-36-4F-P	TerraDyne®, Copper, 2" Type K, 20', Vertical, 4/019 w/36" Pigtail, 4 bags TerraFill®, Poly Test Well w/Cover	261 lb. (118.39 kg)
TG-40S-4/019-36-8F-P	TerraDyne®, Copper, 2" Type K, 40', Vertical, 4/019 w/36" Pigtail, 8 bags TerraFill®, Poly Test Well w/Cover	519 lb. (235.41 kg)



NOTE

- All Shafts are made of type "K" Copper 2" I.D. Tube.
- Custom conductor sizes and configurations are available upon request.
- All TerraDyne® models are available in a modular construction for easy export shipping.

